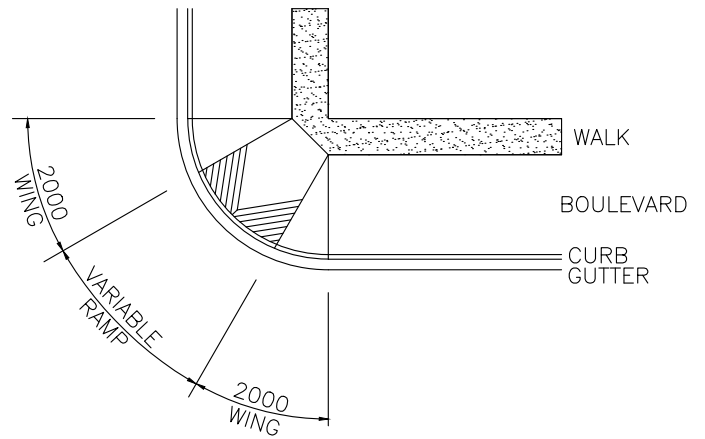
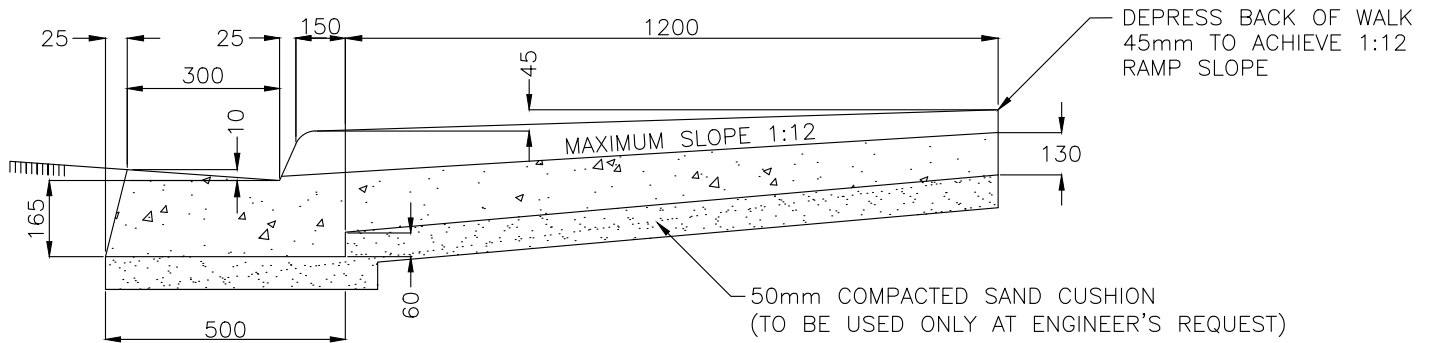


COMBINED WALK, CURB & GUTTER



SEPARATE WALK, CURB & GUTTER



SECTION A-A

NOTES

1. CURB RAMPS SHALL BE CONSTRUCTED AT ALL INTERSECTIONS
2. CONCRETE COMPRESSIVE STRENGTH = 32mpa
3. MAXIMUM AGGREGATE SIZE = 20mm
4. MAXIMUM SLUMP = 75mm
5. MINIMUM RAMP WIDTH = 1000mm; WHERE A CATCH BASIN IS LOCATED WITHIN THE RAMP'S PATH, RAMP WIDTH SHALL BE 2000mm
6. ALL DIMENSIONS ARE IN 'mm' UNLESS OTHERWISE INDICATED

			CITY OF PRINCE ALBERT PUBLIC WORKS		APPROVED <i>Wes Hicks</i>
			RAMP DETAIL - 1		SCALE N.T.S.
No.	DATE	REVISION	DRAWN S. NUMEDAHL	DESIGNED N. MILLER	DWG. No. 00-05-01
			DATE OCT. 2014		