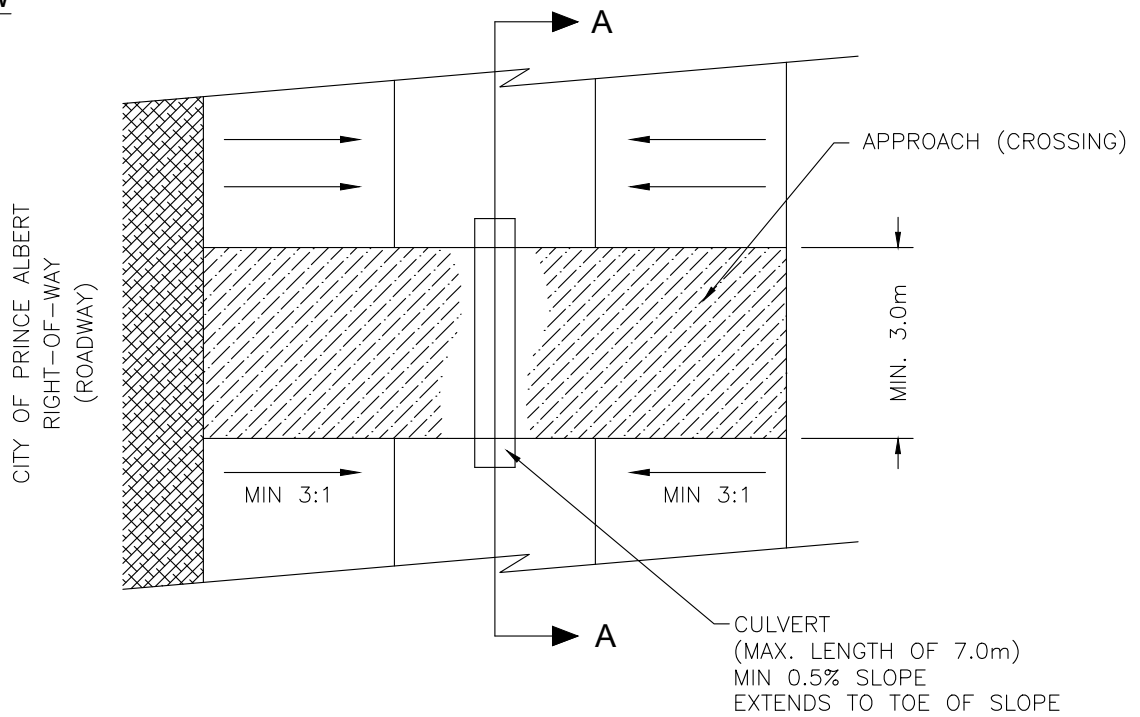
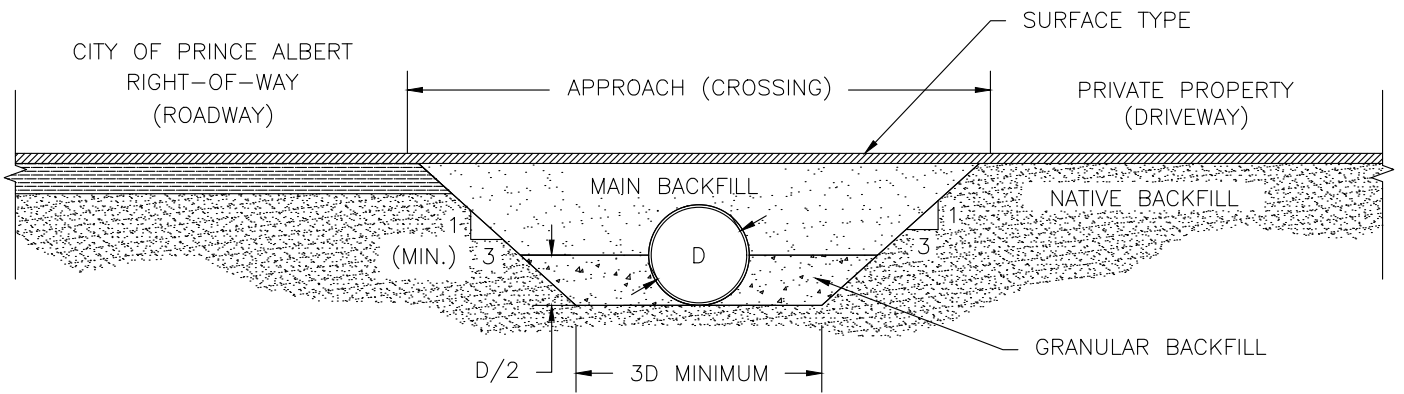


PLAN VIEW



SECTION A-A



NOTES

1. ALL MATERIALS MUST COMPLY WITH CITY OF PRINCE ALBERT MASTER SPECIFICATIONS

			CITY OF PRINCE ALBERT PUBLIC WORKS		APPROVED <i>Wes Hicks</i>
			STANDARD RURAL CROSSING REQUIREMENTS		SCALE N.T.S.
No.	DATE	REVISION	DRAWN S. NUMEDAHL	DESIGNED N. MILLER	DATE OCT. 2014
					DWG. No. 00-04-14