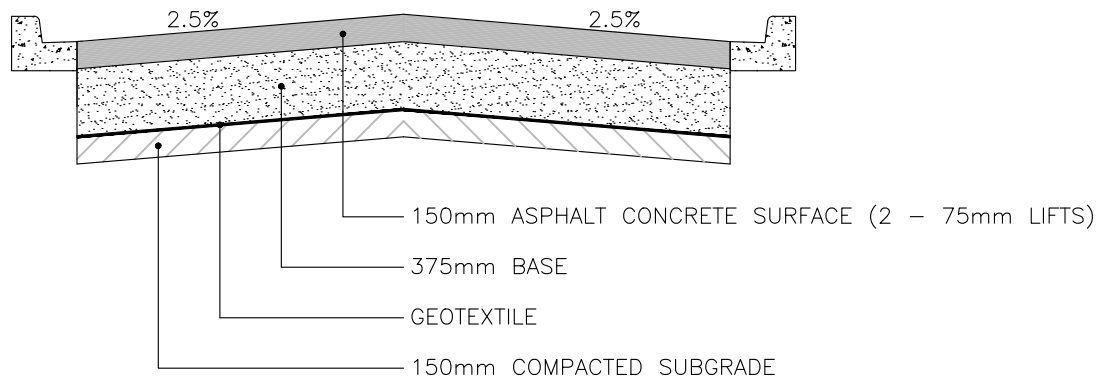
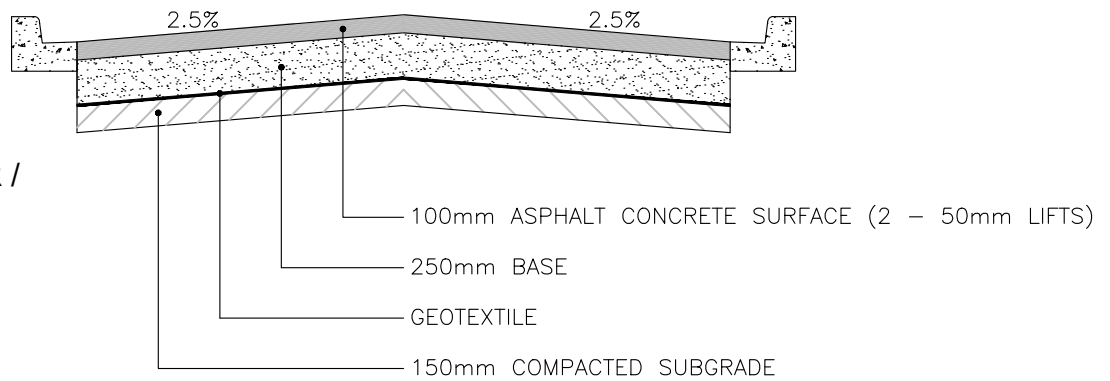


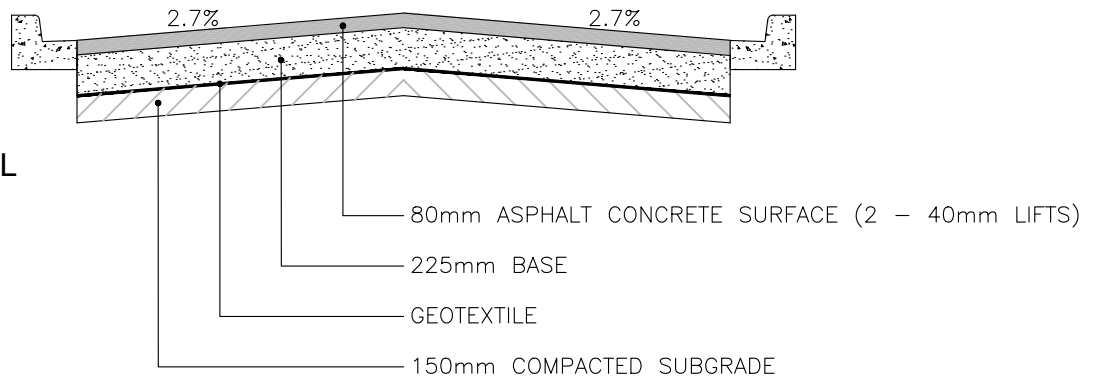
**ARTERIAL**



**COLLECTOR / INDUSTRIAL**



**RESIDENTIAL**



**NOTES**

1. ALL MATERIAL THICKNESS ARE AFTER COMPACTION
2. ALL MATERIALS TO COMPLY WITH CITY OF PRINCE ALBERT MASTER SPECIFICATIONS

			<b>CITY OF PRINCE ALBERT PUBLIC WORKS</b>		APPROVED <i>Wes Hicks</i>
			<b>REHABILITATED PAVED ROADWAY STRUCTURE</b>		SCALE N.T.S.
1	JUN. 2016	GRADES ADDED, THICKNESSES PROPORTIONED	DRAWN S. NUMEDAHL	DESIGNED N. MILLER	DWG. No. 00-04-06
No.	DATE	REVISION	DRAWN	DESIGNED	DATE