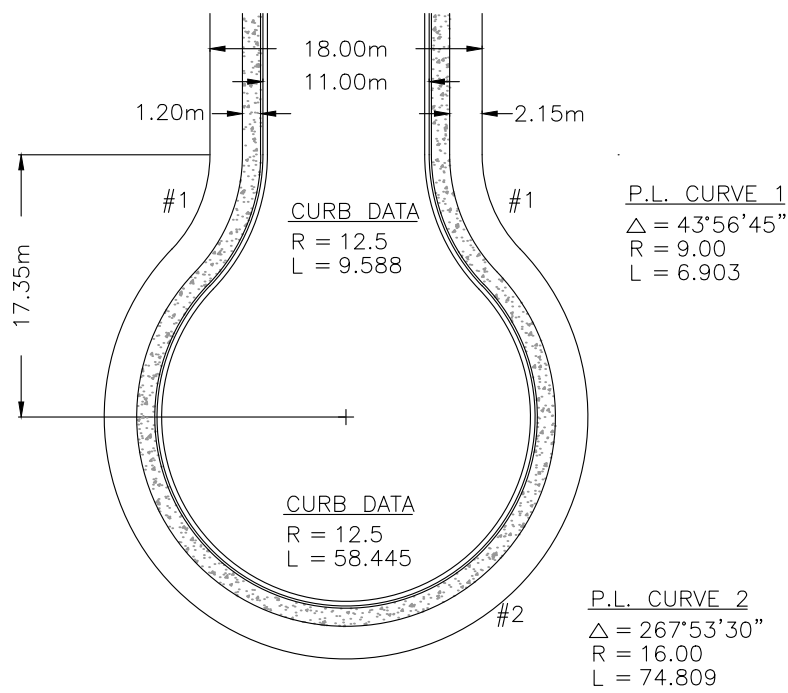


TYPICAL CRESCENT DESIGN - COMBINED WALK



TYPICAL CUL-DE-SAC DESIGN - COMBINED WALK

			CITY OF PRINCE ALBERT		APPROVED <i>Wes Hicks</i>
			PUBLIC WORKS		
			RESIDENTIAL CRESCENT AND		SCALE N.T.S.
			CUL-DE-SAC DESIGN		
No.	DATE	REVISION	DRAWN S. NUMEDAHL	DESIGNED N. MILLER	DATE OCT. 2014
					DWG. No. 00-04-04