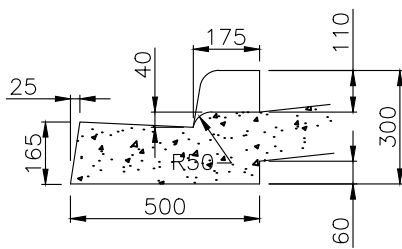
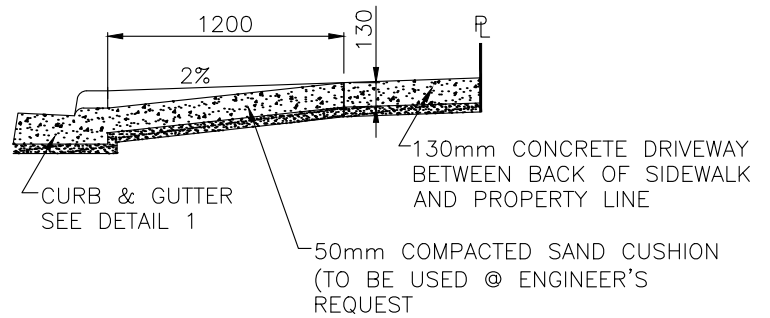


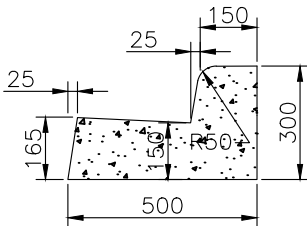
COMBINED WALK, CURB & GUTTER CROSSING



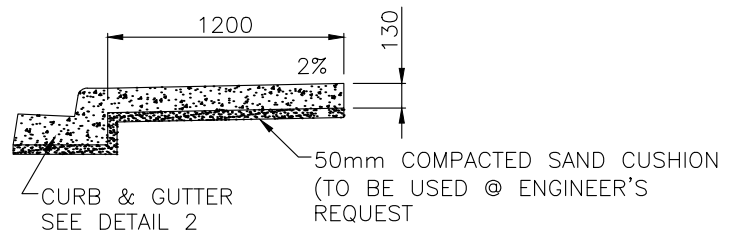
DETAIL 1



SECTION 'A-A'



DETAIL 2



SECTION 'B-B'

NOTES

1. CONCRETE COMPRESSIVE STRENGTH = 32 MPa
2. MAXIMUM AGGREGATE SIZE = 20mm
3. MAXIMUM SLUMP = 75mm
4. CONTRACTION JOINTS SHALL BE CONSTRUCTED IN INTERVALS OF 1500mm WITH GROOVES APPROXIMATELY 3mm IN WIDTH AND SHALL EXTEND 1/4 OF THE DEPTH OF THE STRUCTURE
5. CONTRACTION JOINTS SHALL BE CONSTRUCTED IN ALL CROSSINGS AT INTERVALS OF 4000mm OR AT THE CENTRE OF CROSSINGS 6000mm OR LESS IN WIDTH
6. ALL DIMENSIONS ARE GIVEN IN "mm" UNLESS OTHERWISE STATED

			CITY OF PRINCE ALBERT PUBLIC WORKS			APPROVED <i>Wes Hicks</i>	
			VERTICAL CURB, GUTTER AND SIDEWALK MONOLITHIC				
1	8/6/2018	SURFACE REPAIR CLARIFICATIONS				SCALE	
No.	DATE	REVISION	DRAWN S. NUMEDAHL	DESIGNED N. MILLER	DATE OCT. 2014	DWG. No. 00-03-03	