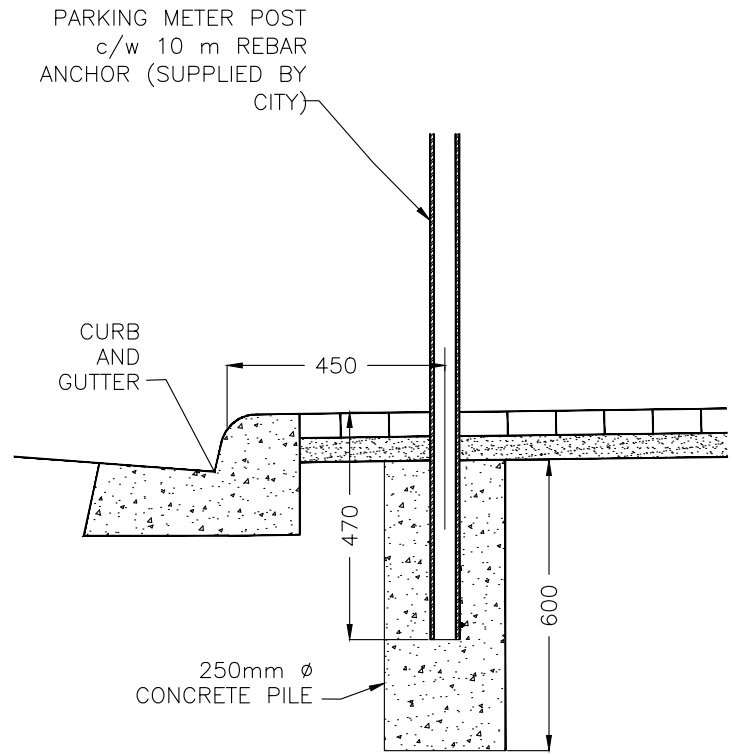
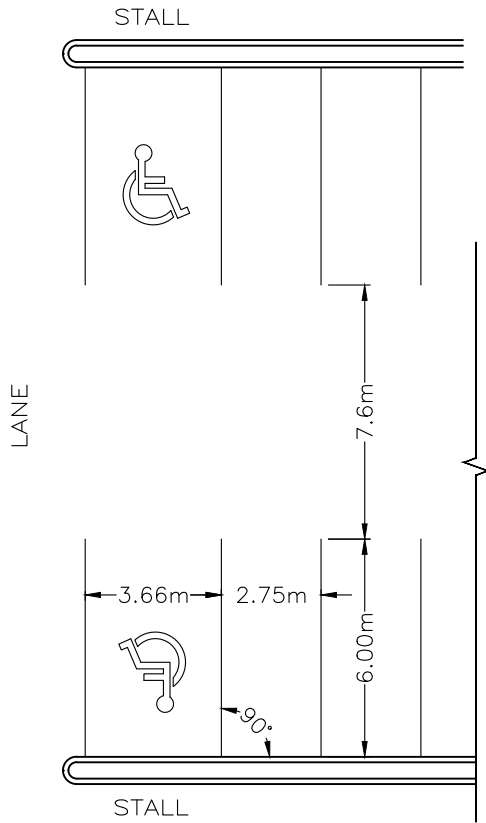
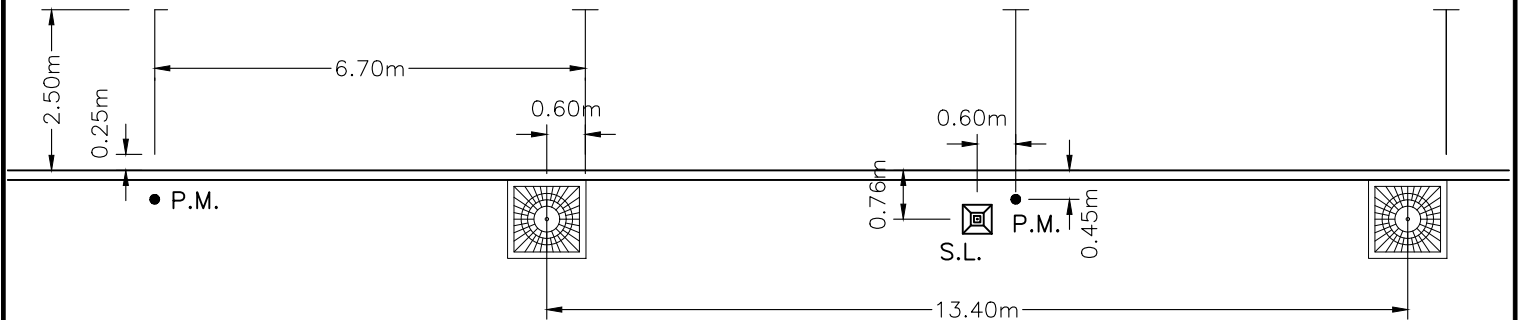


90° PARKING DETAIL

PARKING METER POST BASE



METERED PARKING DETAIL



NOTES

- 90° PARKING DIMENSIONS ARE A MINIMUM REQUIREMENT AND METERED PARKING DIMENSIONS ARE TYPICAL
- ZONING BYLAW NO. 1 OF 1987 STATES THERE SHALL BE 1 STALL AVAILABLE FOR PERSONS WITH DISABILITIES, FOR LOTS WITH 10 SPACES OR LESS FOR LOTS WITH 11-400 SPACES, 2 SPACES OR 2% OF THE TOTAL SPACES, WHICHEVER IS GREATER, MUST BE AVAILABLE FOR PERSONS WITH DISABILITIES

			CITY OF PRINCE ALBERT PUBLIC WORKS		APPROVED <i>Wes Hicks</i>
			METERED PARKING DETAIL		SCALE N.T.S.
No.	DATE	REVISION	DRAWN S. NUMEDAHL	DESIGNED N. MILLER	DATE OCT. 2014
					DWG. No. 00-02-02