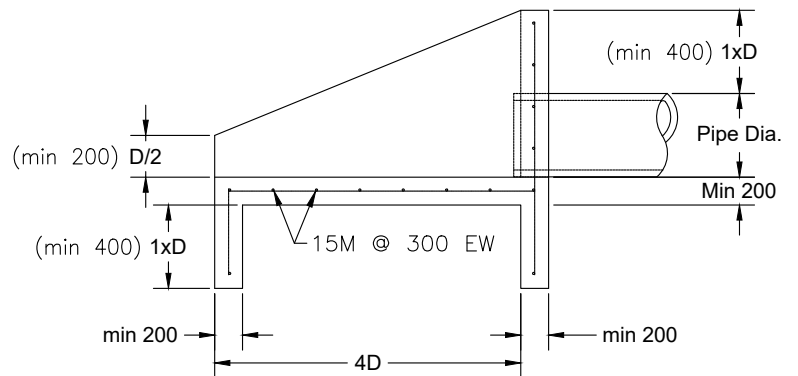
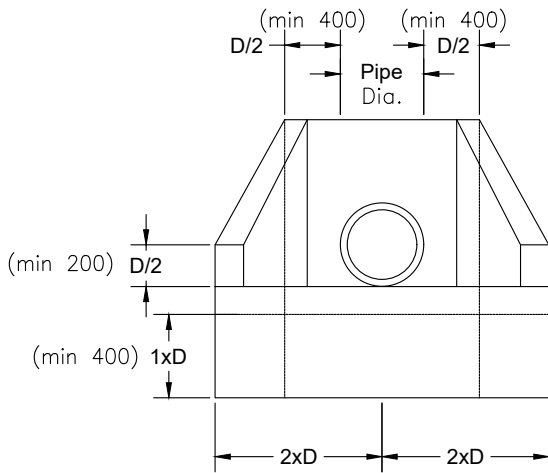


DO NOT ALTER SHORE LINE IN ANY WAY  
DO NOT PLACE ANY MATERIAL INTO THE WATER

RIPRAP STONE SIZE	
100%	< 350mm
80%	< 275mm



			<b>CITY OF PRINCE ALBERT PUBLIC WORKS</b>			APPROVED <i>Wes Hicks</i>	
			<b>STORM OUTFALL DESIGN</b>			SCALE N.T.S.	
1	JAN 2017	REVISED RIPRAP REQUIREMENTS				DWG. No. 00-01-23	
No.	DATE	REVISION	DRAWN S. NUMEDAHL	DESIGNED N. MILLER	DATE OCT. 2014		