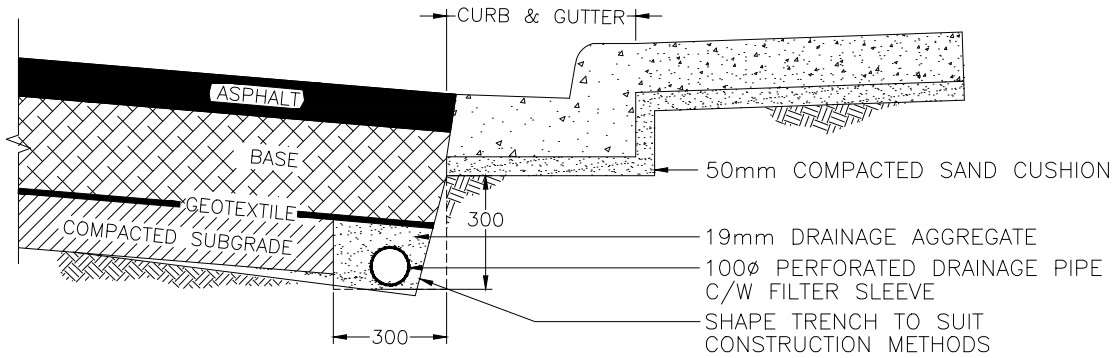


EXISTING ROAD, CURB & SEPARATE SIDEWALK RECONSTRUCTION



EXISTING ROADWAY RECONSTRUCTION

NOTES

1. ALL DIMENSIONS ARE GIVEN IN 'mm' UNLESS OTHERWISE STATED
2. ALL MATERIALS TO COMPLY WITH CITY OF PRINCE ALBERT MASTER SPECIFICATIONS

			CITY OF PRINCE ALBERT PUBLIC WORKS			APPROVED <i>Wes Hicks</i>	
			PAVEMENT STRUCTURES w/ WEEPING TILE			SCALE N.T.S.	
1	FEB 2020	MODIFIED DRAINAGE AGGREGATE				DWG. No. 00-01-15	
No.	DATE	REVISION	DRAWN S. NUMEDAHL	DESIGNED N. MILLER	DATE OCT. 2014		