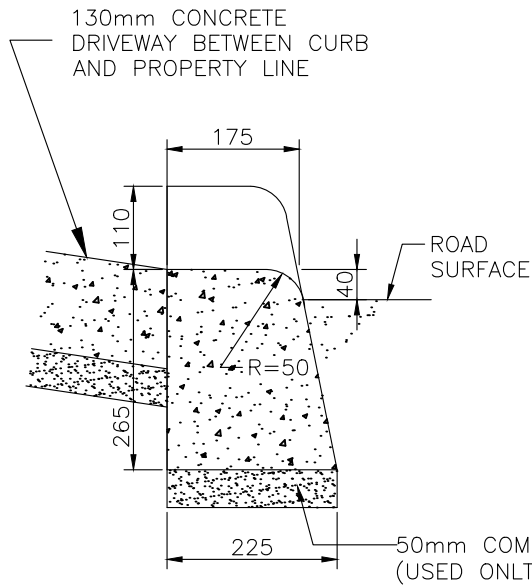
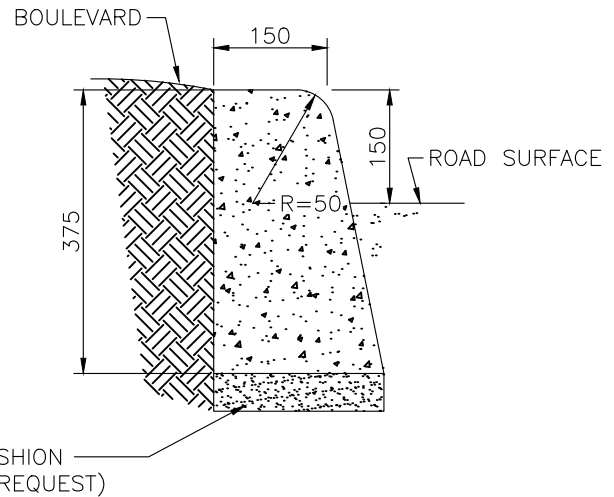


**CURB CROSSING**



**SECTION 'A-A'**



**SECTION 'B-B'**

**NOTES**

1. CONCRETE COMPRESSIVE STRENGTH = 32MPa
2. MAXIMUM AGGREGATE SIZE = 20mm
3. MAXIMUM SLUMP = 75mm
4. CONTRACTION JOINTS SHALL BE CONSTRUCTED AT INTERVALS OF 1.5m WITH GROOVES APPROXIMATELY 3mm IN WIDTH AND SHALL EXTEND 1/4 THE DEPTH OF THE STRUCTURE
5. CONTRACTION JOINTS SHALL BE CONSTRUCTED IN ALL CROSSINGS AT INTERVALS OF 4.0m OR AT THE CENTRE OF CROSSINGS 6.0m OR LESS IN WIDTH
6. ALL DIMENSIONS ARE GIVEN IN "mm" UNLESS OTHERWISE INDICATED

			<b>CITY OF PRINCE ALBERT PUBLIC WORKS</b>		APPROVED <i>Wes Hicks</i>
			<b>VERTICAL CURB CROSSING DETAIL</b>		SCALE N.T.S.
1	06/01/18	SURFACE REPAIR CLARIFICATIONS	DRAWN S. NUMEDAHL	DESIGNED N. MILLER	DWG. No. 00-03-06
No.	DATE	REVISION	DATE OCT. 2014		