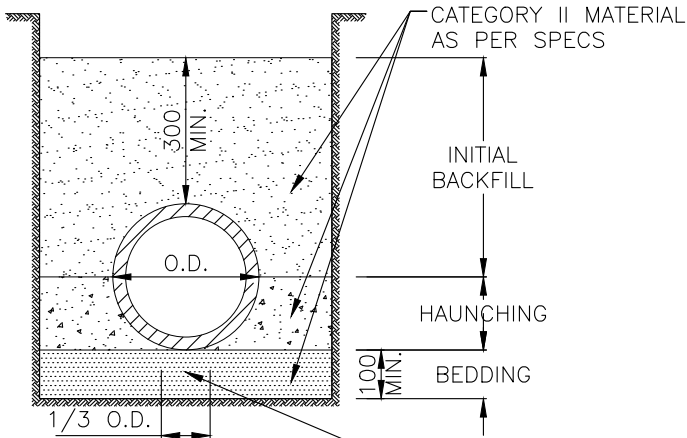
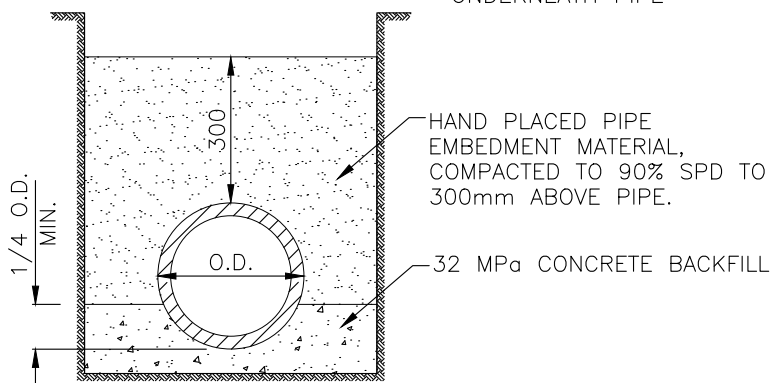


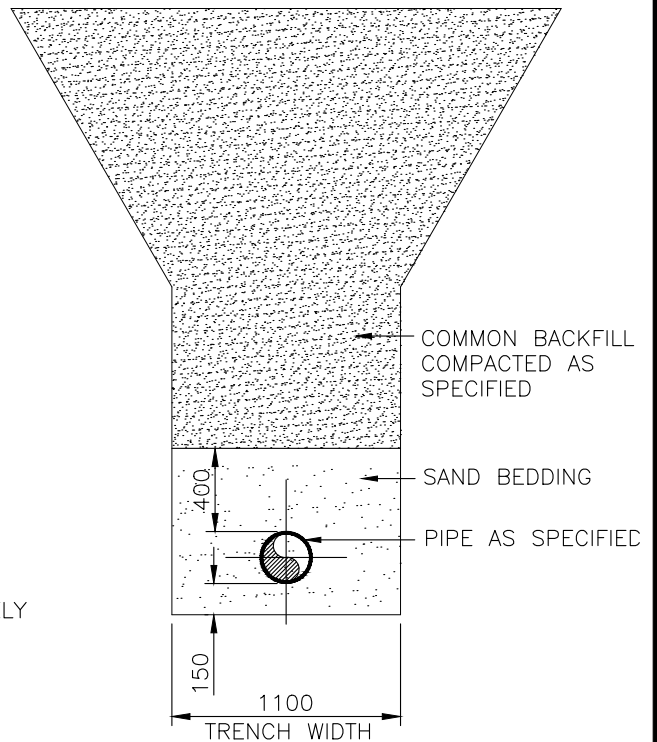
TERMINOLOGY



PVC & CONCRETE PIPE BEDDING DETAILS



CLASS "A" BEDDING
(CONCRETE BACKFILL & BEDDING)



TYPICAL TRENCH

NOTES

1. ALL MATERIALS TO COMPLY WITH CITY OF PRINCE ALBERT MASTER SPECIFICATIONS

			CITY OF PRINCE ALBERT PUBLIC WORKS		APPROVED <i>Wes Hicks</i>
			TRENCH AND BEDDING DETAILS		SCALE N.T.S.
No.	DATE	REVISION	DRAWN S. NUMEDAHL	DESIGNED N. MILLER	DWG. No. 00-01-18
				DATE OCT. 2014	